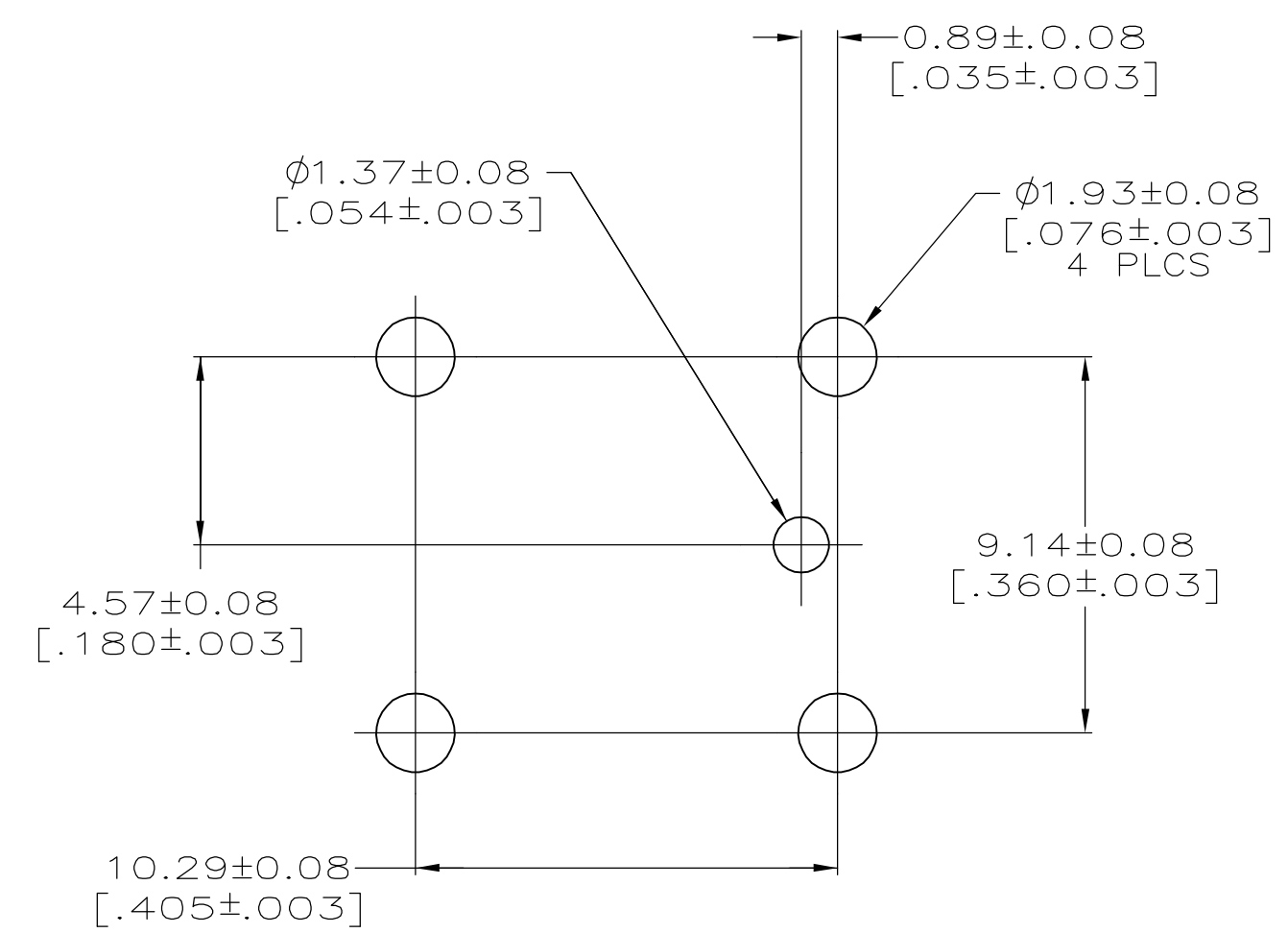
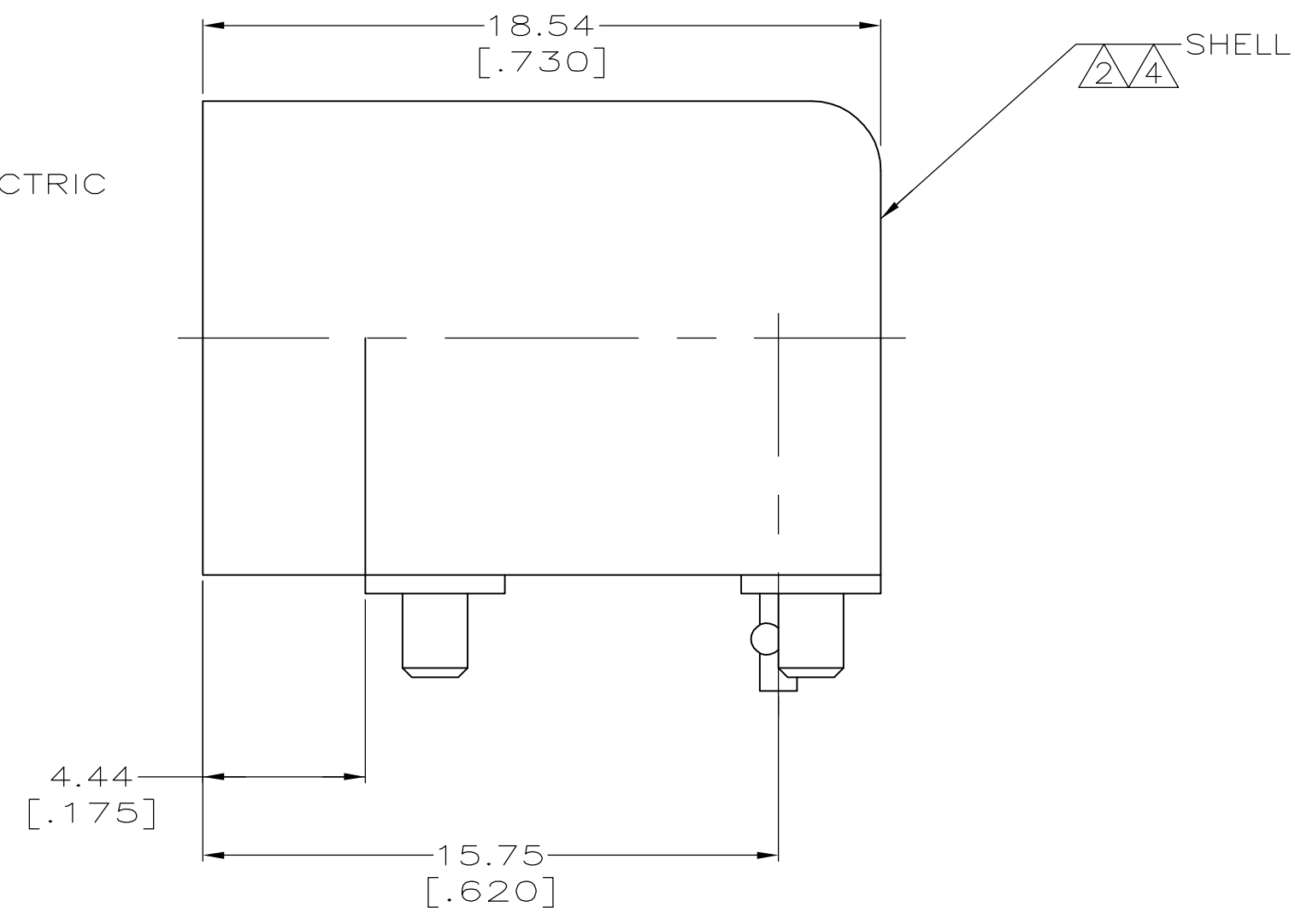
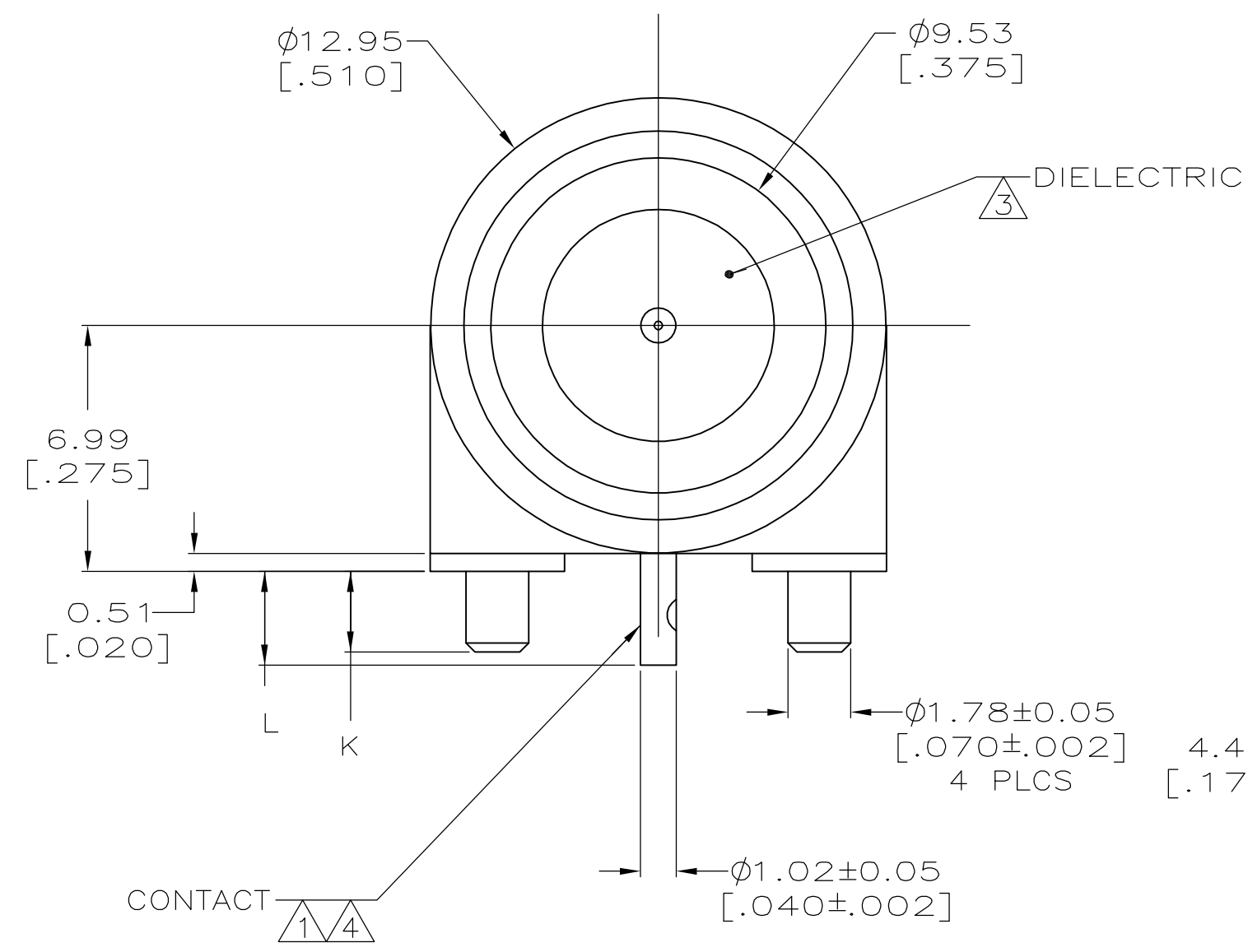


THIS DRAWING IS UNPUBLISHED. RELEASED FOR PUBLICATION  
 © COPYRIGHT 2005 BY TYCO ELECTRONICS CORPORATION. ALL RIGHTS RESERVED.

LOC	DIST	REVISIONS					
AJ	16	P	LTR	DESCRIPTION	DATE	DWN	APVD
		D		REVISED PER EC OS14-0457-04	03NOV05	TS	JL



PCB CONFIGURATION

- 1 BRASS PER ASTM-B-16
- 2 ZINC PER QQ-Z-363.
- 3 POLYPROPYLENE, GENERAL PURPOSE
- 4 TIN PLATE PER ASTM-B-545  
3.81 μm [.000150] MINIMUM THICK.
- 5. TEST JACK INSERTION DEPTH TO BE .450 IN

	3.30 [.130]	3.30 [.130]	415406-2
OBsolete	-2.29 [-.090]	2.67 [.105]	415406-1
	K	L	PART NUMBER

THIS DRAWING IS A CONTROLLED DOCUMENT.		DWN J. LIPPERT 29MAY96	Tyco Electronics Corporation Harrisburg, PA 17105-3608																		
DIMENSIONS: MM [INCHES]		CHK K. WEIDNER 04JUN96	NAME TEST PLUG, PCB, RIGHT ANGLE, G SERIES																		
TOLERANCES UNLESS OTHERWISE SPECIFIED:		APVD K. WEIDNER 04JUN96	PRODUCT SPEC																		
<table border="1"> <tr><td>0 PLC</td><td>±</td><td>-</td></tr> <tr><td>1 PLC</td><td>±</td><td>-</td></tr> <tr><td>2 PLC</td><td>±</td><td>-</td></tr> <tr><td>3 PLC</td><td>±</td><td>0.20 [.008]</td></tr> <tr><td>4 PLC</td><td>±</td><td>-</td></tr> <tr><td>ANGLES</td><td>±</td><td>-</td></tr> </table>		0 PLC	±	-	1 PLC	±	-	2 PLC	±	-	3 PLC	±	0.20 [.008]	4 PLC	±	-	ANGLES	±	-	APPLICATION SPEC	
0 PLC	±	-																			
1 PLC	±	-																			
2 PLC	±	-																			
3 PLC	±	0.20 [.008]																			
4 PLC	±	-																			
ANGLES	±	-																			
MATERIAL SEE NOTES 1-5		FINISH SEE NOTE 6	WEIGHT -	RESTRICTED TO -																	
CUSTOMER DRAWING		SIZE A2	CAGE CODE 00779	DRAWING NO G-415406																	
SCALE 6:1		SHEET 1 of 1	REV D																		

415406